

< Back

Forward >

Document ID# 1684799

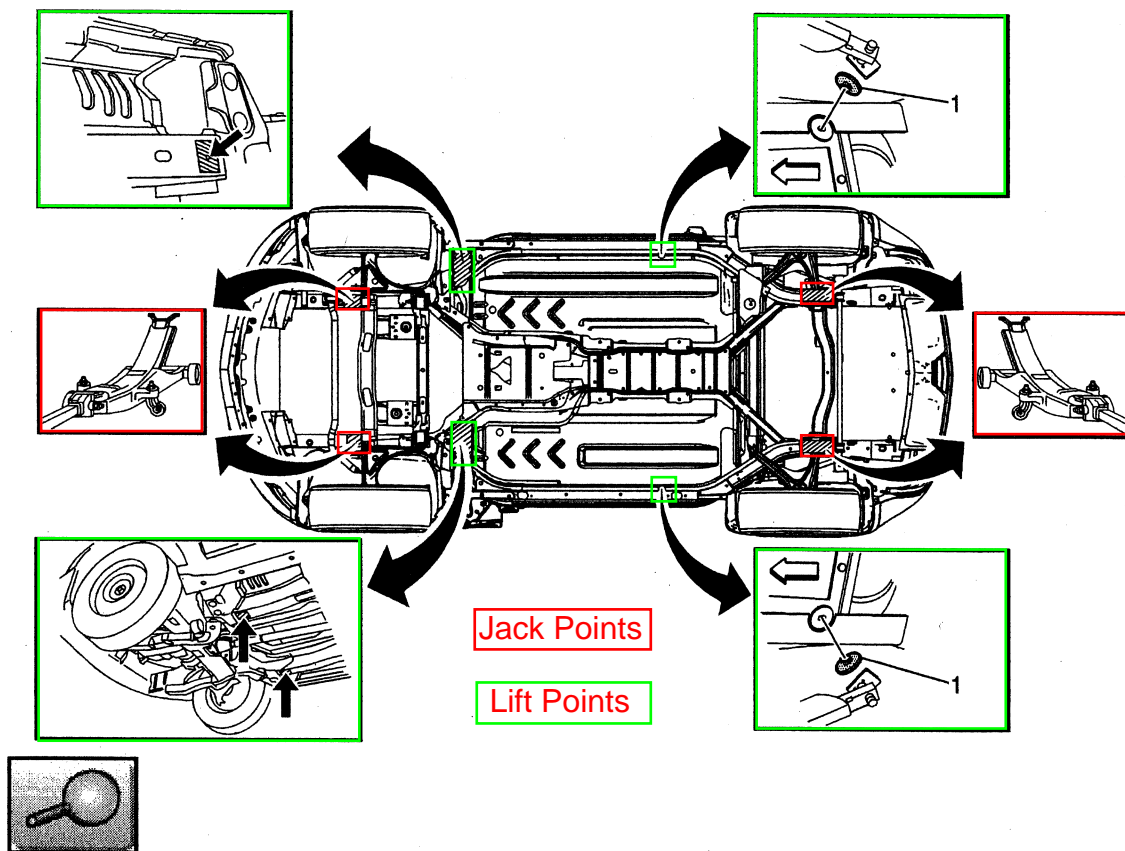
Feedback

Print

Lifting and Jacking the Vehicle

Tools Required

J 43625 Lift Pad Adapter



Caution: To avoid any vehicle damage, serious personal injury or death when major components are removed from the vehicle and the vehicle is supported by a hoist, support the vehicle with jack stands at the opposite end from which the components are being removed.

Caution: To avoid any vehicle damage, serious personal injury or death, always use the jackstands to support the vehicle when lifting the vehicle with a jack.

Notice: Perform the following steps before beginning any vehicle lifting or jacking procedure:

- Remove or secure all of the vehicle's contents in order to avoid any shifting or any movement that may occur during the vehicle lifting or jacking procedure.
- The lifting equipment or the jacking equipment weight rating must meet or exceed the weight of

the vehicle and any vehicle contents.

- The lifting equipment or the jacking equipment must meet the operational standards of the lifting equipment or jacking equipment's manufacturer.
- Perform the vehicle lifting or jacking procedure on a clean, hard, dry, level surface.
- Perform the vehicle lifting or jacking procedure only at the identified lift points. DO NOT allow the lifting equipment or jacking equipment to contact any other vehicle components.

Failure to perform the previous steps could result in damage to the lifting equipment or the jacking equipment, the vehicle, and/or the vehicle's contents.

Vehicle Lifting - Frame Contact Lift

Front Lift Pads

When lifting the vehicle with a frame-contact lift, place the front lift pads as shown.

Rear Lift Pads

1. Install the J 43625 (1) into the rear frame rail shipping slots, lock into place and position the rear hoist pads.
2. When lifting the vehicle with a frame-contact lift, place the rear lift pads as shown.

Vehicle Jacking

Important: When you are lifting a vehicle with a vehicle jack or a service jack, block the wheels at the opposite end from which you are lifting. Use jack stands to provide additional support.

Lift the front/rear of the vehicle by placing the floor jack lift pad as shown.

Supporting the Vehicle with Jackstands

Important: Place jackstands ONLY under strong and stable vehicle structures.

<- Back

Forward ->

Document ID# 1684799

Feedback

Print